



ELECTRICAL SPECIFICATIONS

Frequency Range: 2.4-2.5 / 4.9-5.9 GHz
Gain: 2 / 3.5 dBi
VSWR: ≤ 2.0
Impedance: 50 Ω



MECHANICAL SPECIFICATIONS

Dimensions: 1.89" x 0.75" (48mm * 19mm)
Radome Material: ABS
Connector: RPSMA Plug
Flammability Class: UL-94 HB

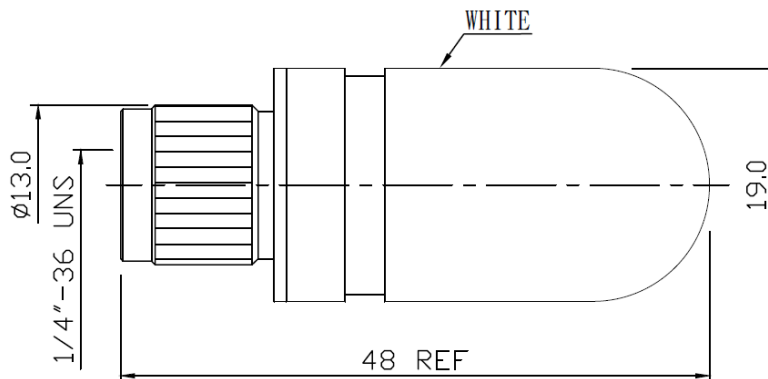


ENVIRONMENTAL SPECIFICATIONS

Installation Environment: Indoor/Outdoor
IP Rating: IP 66

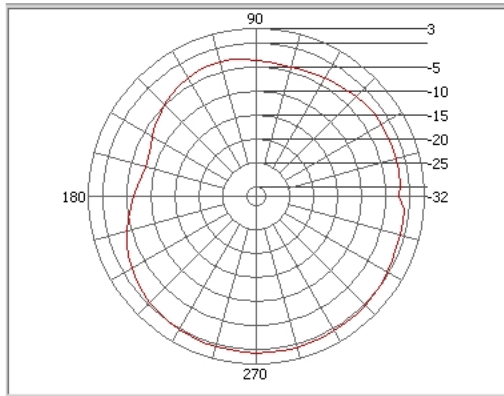
WARRANTY

2 Year Limited Warranty

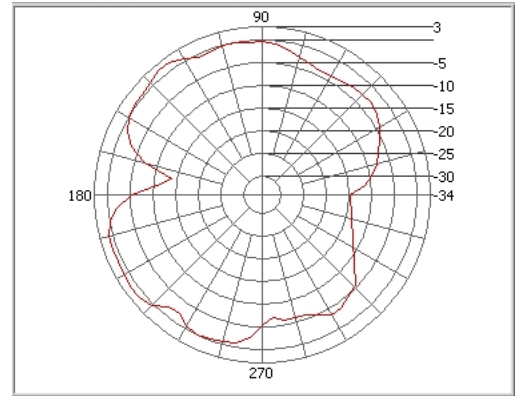




2.4 GHZ



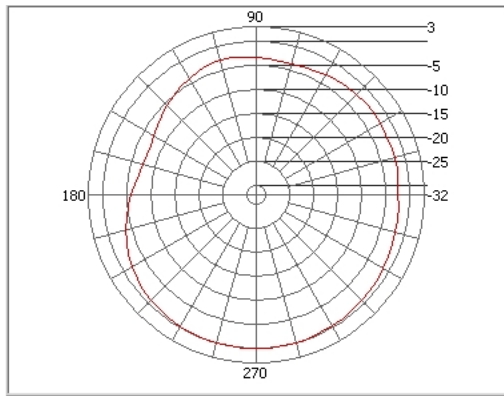
H-Plane



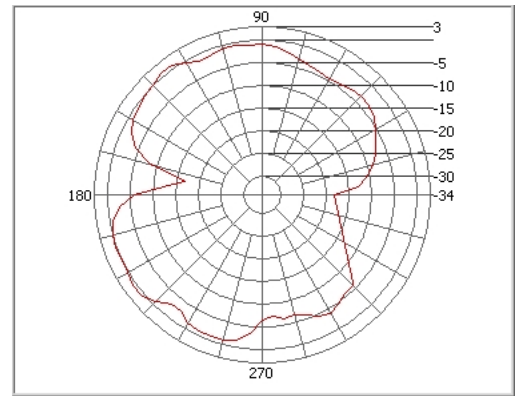
E-Plane



2.45 GHZ



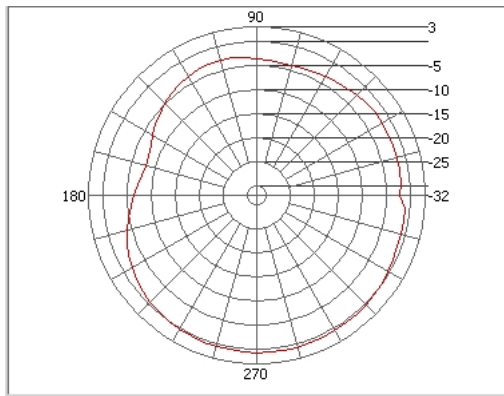
H-Plane



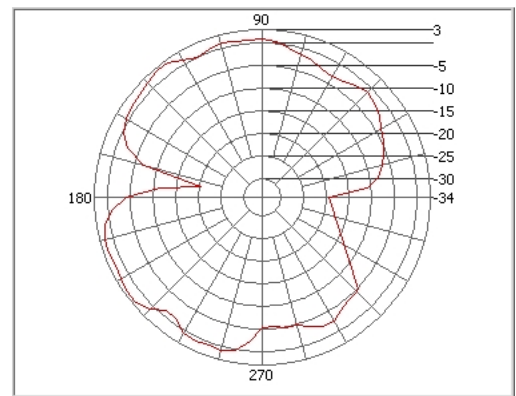
E-Plane



2.5 GHZ



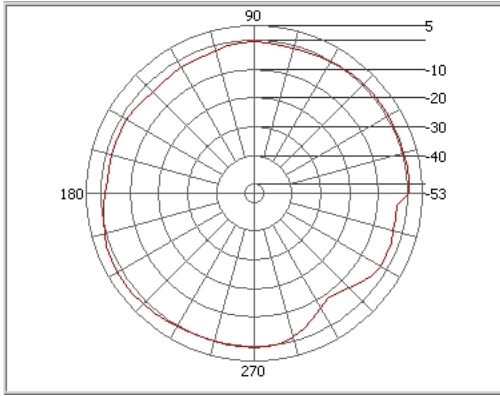
H-Plane



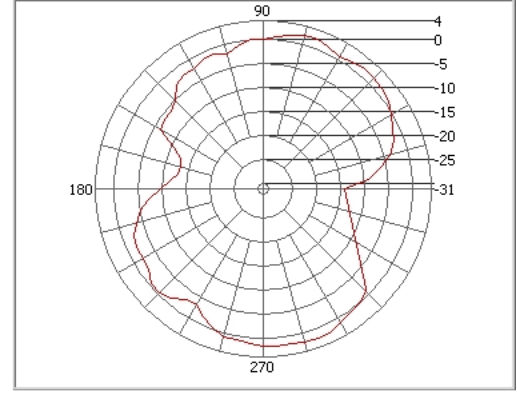
E-Plane



4.9 GHZ



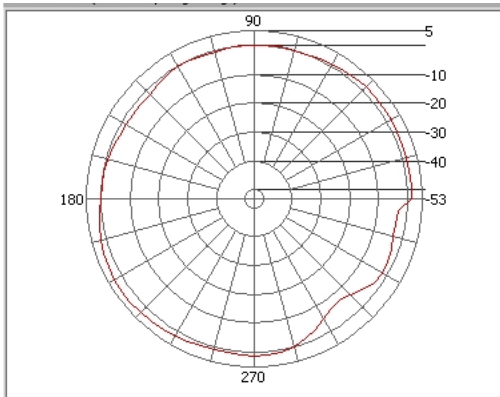
H-Plane



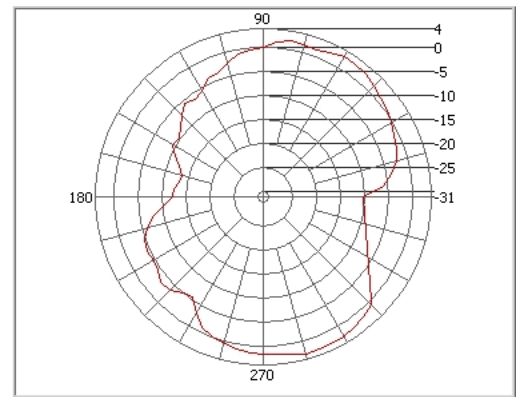
E-Plane



5.4 GHZ



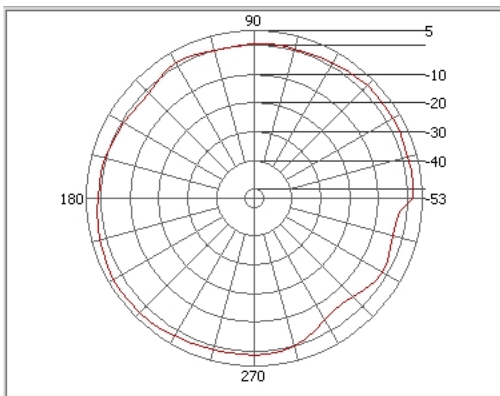
H-Plane



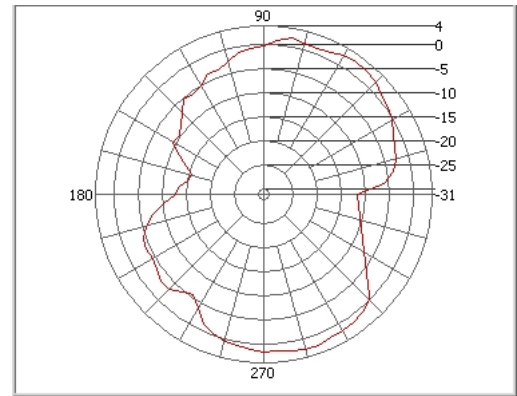
E-Plane



5.8 GHZ



H-Plane



E-Plane